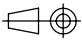


0	14.09.2001	ISSUED	An.T.	Al.T.	A.M.
Rev.	Date	Description	Drawn	Checked	Approved
CACCIALANZA & C. <small>s.p.A.</small> ANTINCENDIO SICUREZZA ANTINQUINAMENTO SEGRATE (MILANO) - ITALY		Client / Project			
		Title			
	Date	Name	PANEL 1 MONITOR (2 MOV.) AND MO VALVE EXECUTION WITH SEPARATE COMMAND BOX		
Drawn	14.09.2001	An.T.			
Checked	14.09.2001	Al.T.			
Approved	14.09.2001	A.M.			
Code	Sys.	Size	Scale	Dwg nr.	Rev.
		A3	/	46403211	0
					Sheet 1
					of 12
THIS DRAWING IS THE PROPERTY OF CACCIALANZA & C. S.p.A. AND IS NOT TO BE REPRODUCED OR USED TO FURNISH ANY INFORMATION FOR MAKING OF DRAWINGS OR APPARATUS EXCEPT WHERE PROVIDED FOR BY AGREEMENT WITH SAID COMPANY					

a	b	c	d	e	f	g		h	i	j	k	m	n	p	q		r								
SHEET	DESCRIPTION						MODIFY					SHEET	DESCRIPTION						MODIFY					0	
							A	B	C	D	E								F	G	H	I	A		B
1	COVER						0					29													
2	MODIFY TABLE						0					30													
3	TECHNICAL DATA						0					31													1
4	WIRE COLOUR TABLE						0					32													
5	POWER WIRING						0					33													
6	MAIN SUPPLY						0					34													2
7	-M01.1 WIRING RIGHT/LEFT						0					35													
8	-M01.2 WIRING UP/DOWN						0					36													
9	-VA1 WIRING / WIRING RUNNING AND FAULT LAMP						0					37													3
10	SPAR1 WIRING						0					38													
11	SPA01RE-SPAR1 TERMINAL CONNECTIONS						0					39													
12	LAY OUT AND FRONT PANEL						0					40													4
13												41													
14												42													
15												43													5
16												44													
17												45													
18												46													6
19												47													
20												48													
21												49													7
22												50													
23												51													
24												52													
25												53													8
26												54													
27												55													
28												56													9

CACCIALANZA & C. s.p.a. ANTINCENDIO SICUREZZA ANTINQUINAMENTO SEGRATE (MILANO) - ITALY	TITLE		CLIENT		DATE	14.09.2001	DWG N°	46403211
	MONITOR 3 MOTIONS				SCALE	/	PROJECT N°	
	TYPE A2-A4-A6-A8/EL				DRAWN	An.T.		
					0	ISSUED	14.09.01	CHECKED
				REV.	MODIFY	DATE	APPROVED	A.M.
								SHEET N° 2 OF 12

a b c d e f g h i j k m n p q r

0
1
2
3
4
5
6
7
8
9

PANEL BOARD TECHNICAL DATA		
RATED SERVICE VOLTAGE:.....400V	TYPE OF SEGREGATION:.....FORM 1	TEMPERATURE:.....40°C
RATED INSULATION VOLTAGE:.....1000V	INSTALLATION:.....OUTDOOR	DEGREE OF PROTECTION:.....IP65
RATED FREQUENCY:.....50Hz	COMPLIANCE WITH STANDARD:.....CEI 17/13.1	COLOR:.....RED RAL3000
ELECTRICAL SYSTEM:.....3Ph+PE	IN/OUT CABLES:.....BOTTOM	

CACCIALANZA & C. s.p.a
 ANTINCENDIO SICUREZZA ANTINQUINAMENTO
 SEGRATE (MILANO) - ITALY

TITLE
MONITOR 3 MOTIONS
 TYPE A2-A4-A6-A8/EL

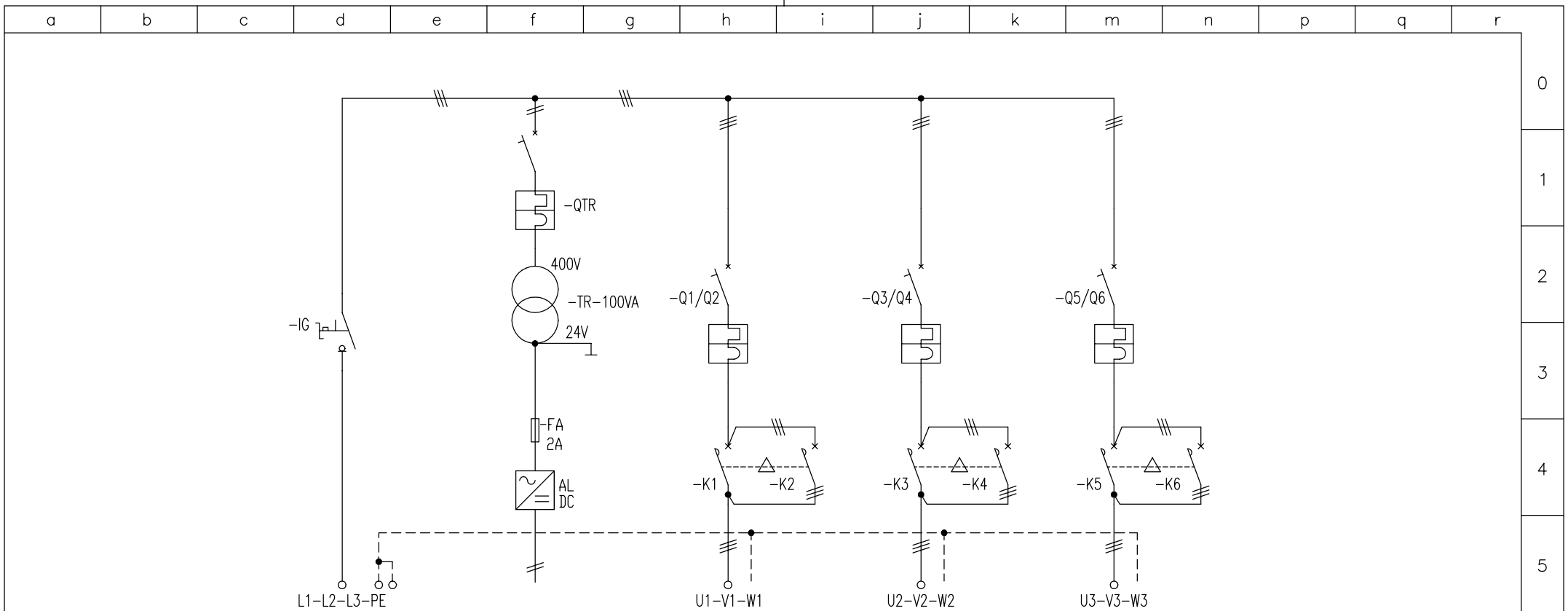
CLIENT

			DATE	14.09.2001	DWG N°	46403211
			SCALE	/		
			DRAWN	An.T.	PROJECT N°	
0	ISSUED	14.09.01	CHECKED	ALT.		
REV.	MODIFY	DATE	APPROVED	A.M.	SHEET N°	3 OF 12

a b c d e f g h i j k m n p q r

0
1
2
3
4
5
6
7
8
9

POWER CIRCUIT		AUXILIARY CIRCUIT	
MIN. SECTION 2,5mmq		MIN. SECTION 1,5mmq	
CONDUCTOR		CONDUCTOR	
PHASES	BLACK	24V - C.A.	RED
NEUTRAL	LIGHT BLUE	110V - A.C	RED
GROUND	YELLOW-GREEN	220V - A.C	BLACK
		24V - D.C	BLUE
WIRE COLOUR TABLE			



USE	CIRCUIT		n?		MAIN SUPPLY		RIGHT/LEFT MONITOR MO1.1		UP/DOWN MONITOR MO1.2		VALVE -VA1		
	DESCRIPTION		Kw	A	1,45	2,9	0,45	0,9	0,45	0,9	0,45	0,9	
ELECTRICAL EQUIPMENT	SWITCH	TYPE	P1-25 /Z					
		RATED CURRENT - N. POLES	A	n?	25	3							
		BREAKING CAPACITY	V	KA	400								
		SETTING CURRENT MAG. ELEMENT			A								
		SETTING CURRENT THE. ELEMENT			A								
	CON-FACTOR	TYPE			DILER40//G(24VDC)		DILER40//G(24VDC)		DILER40//G(24VDC)				
		RATED CURRENT			A								
		UTILIZATION CATEGORY			AC-3		AC-3		AC-3				
	THERMAL RELAY	TYPE											
		SETTING RANGE			A								
FUSEHOLDER - TYPE & CURRENT			A										
			A										
AMMETER													
LINE	CABLE	TYPE											
		SECTION	mmq				(4G2,5)		(4G2,5)		(4G2,5)		
		LANCE	mt										
		RATED CURRENT(Iz)	A										

CACCIALANZA & C. s.p.a
 ANTINCENDIO SICUREZZA ANTINQUINAMENTO
 SEGRATE (MILAND) - ITALY

TITLE
MONITOR 3 MOTIONS
 TYPE A2-A4-A6-A8/EL

CLIENT

DATE	14.09.2001
SCALE	/
DRAWN	An.T.
CHECKED	AL.T.
APPROVED	A.M.

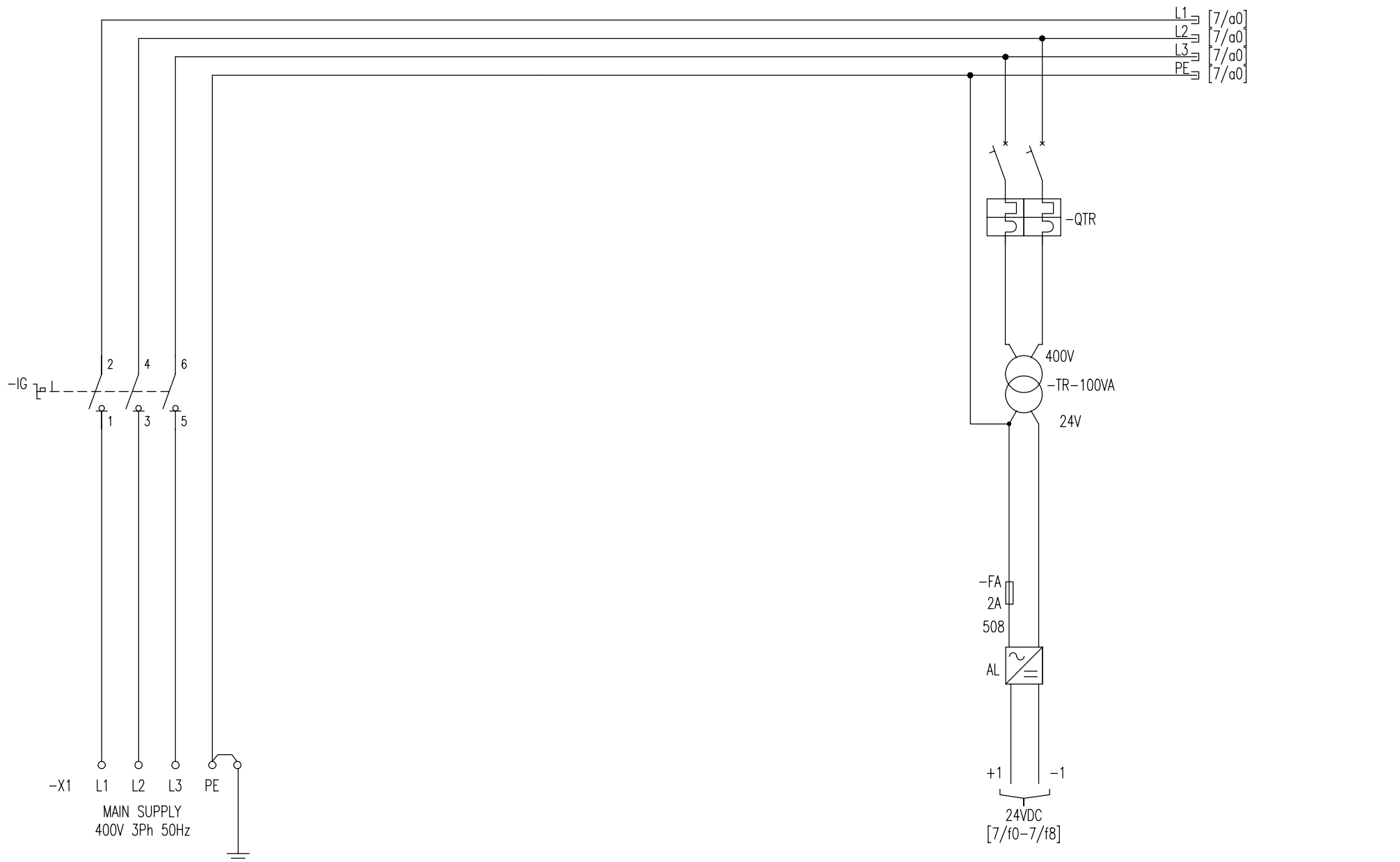
DWG N° **46403211**

PROJECT N°

SHEET N. 5 OF 12

0	ISSUED	14.09.01
REV.	MODIFY	DATE

a b c d e f g h i j k m n p q r



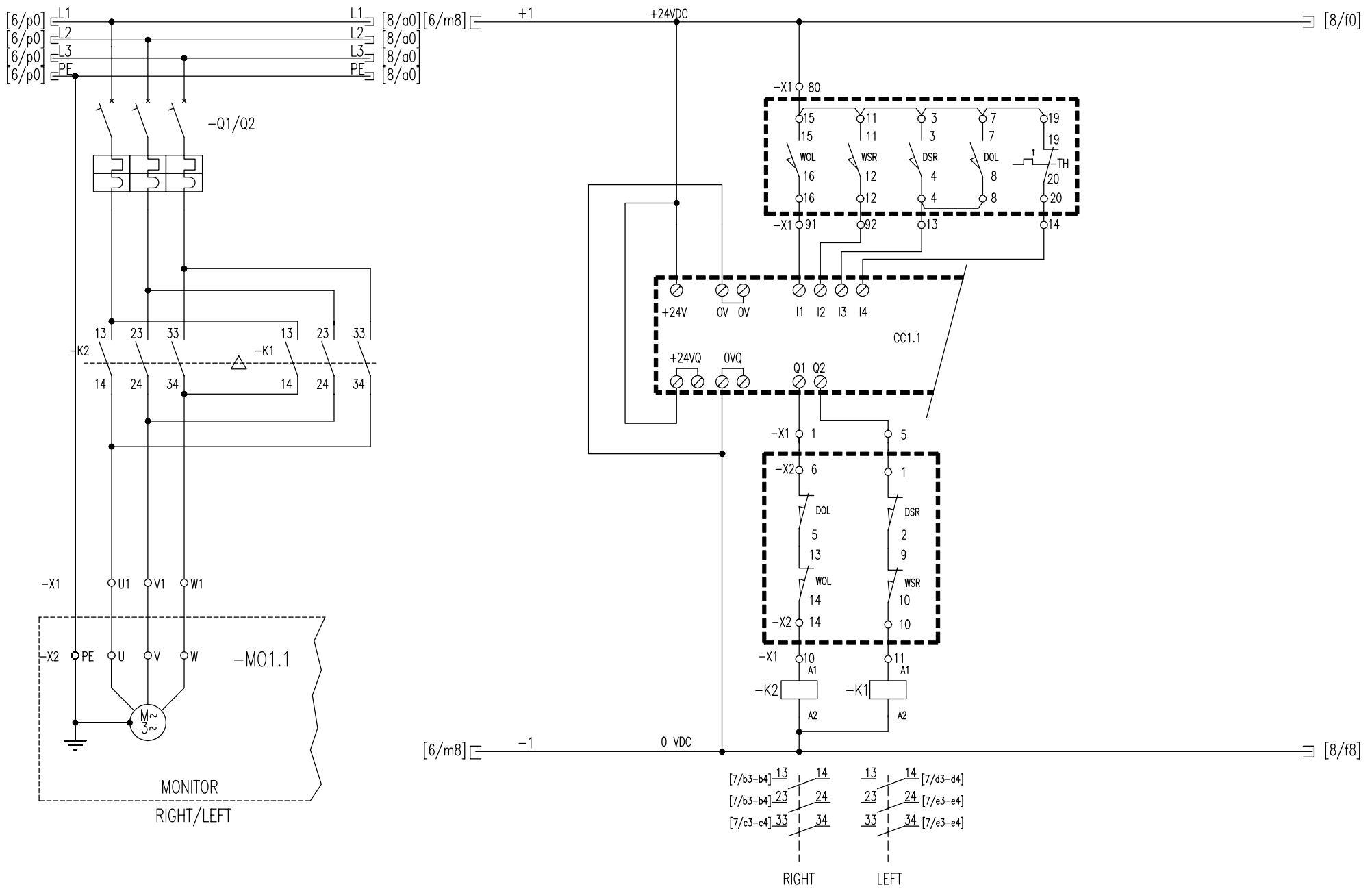
0
1
2
3
4
5
6
7
8
9

CACCIALANZA & C. s.p.a.
ANTINCENDIO SICUREZZA ANTINQUINAMENTO
SEGRATE (MILANO) - ITALY

TITLE
MONITOR 3 MOTIONS
TYPE A2-A4-A6-A8/EL

CLIENT

		DATE	14.09.2001	DWG N°	46403211
		SCALE	/	PROJECT N°	
		DRAWN	An.T.		
0	ISSUED	14.09.01	CHECKED	AL.T.	
REV.	MODIFY	DATE	APPROVED	A.M.	SHEET N° 6 OF 12



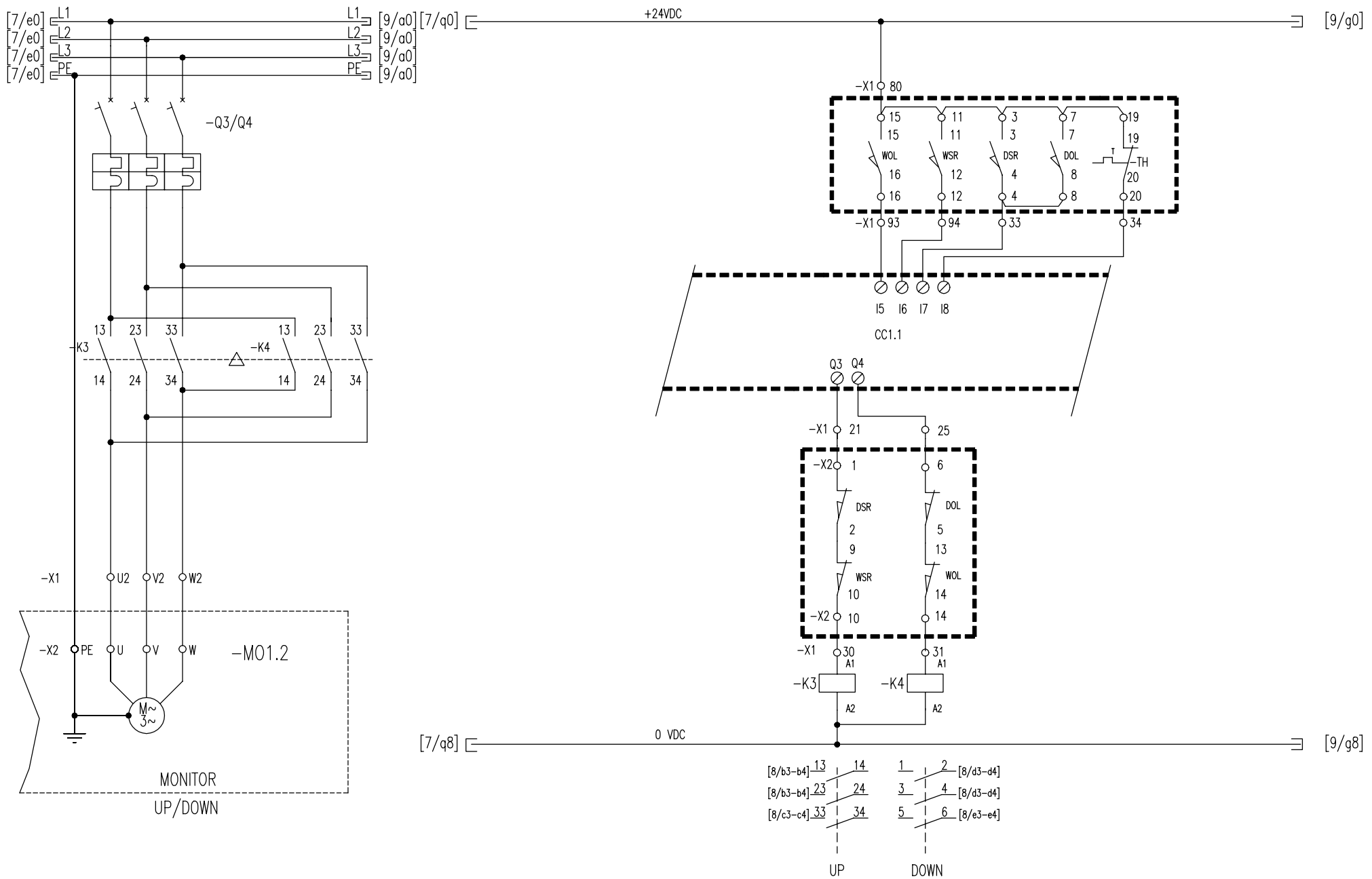
CACCIALANZA & C. s.p.a.
ANTINCENDIO SICUREZZA ANTINQUINAMENTO
SEGRATE (MILANO) - ITALY

TITLE
MONITOR 3 MOTIONS
TYPE A2-A4-A6-A8/EL

CLIENT

DATE	14.09.2001
SCALE	/
DRAWN	An.T.
CHECKED	AL.T.
APPROVED	A.M.
0 ISSUED	14.09.01
REV.	MODIFY

DWG N° 46403211
PROJECT N°
SHEET N. 7 OF 12



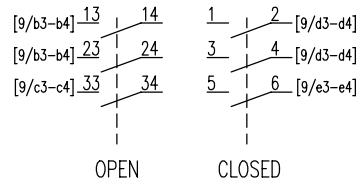
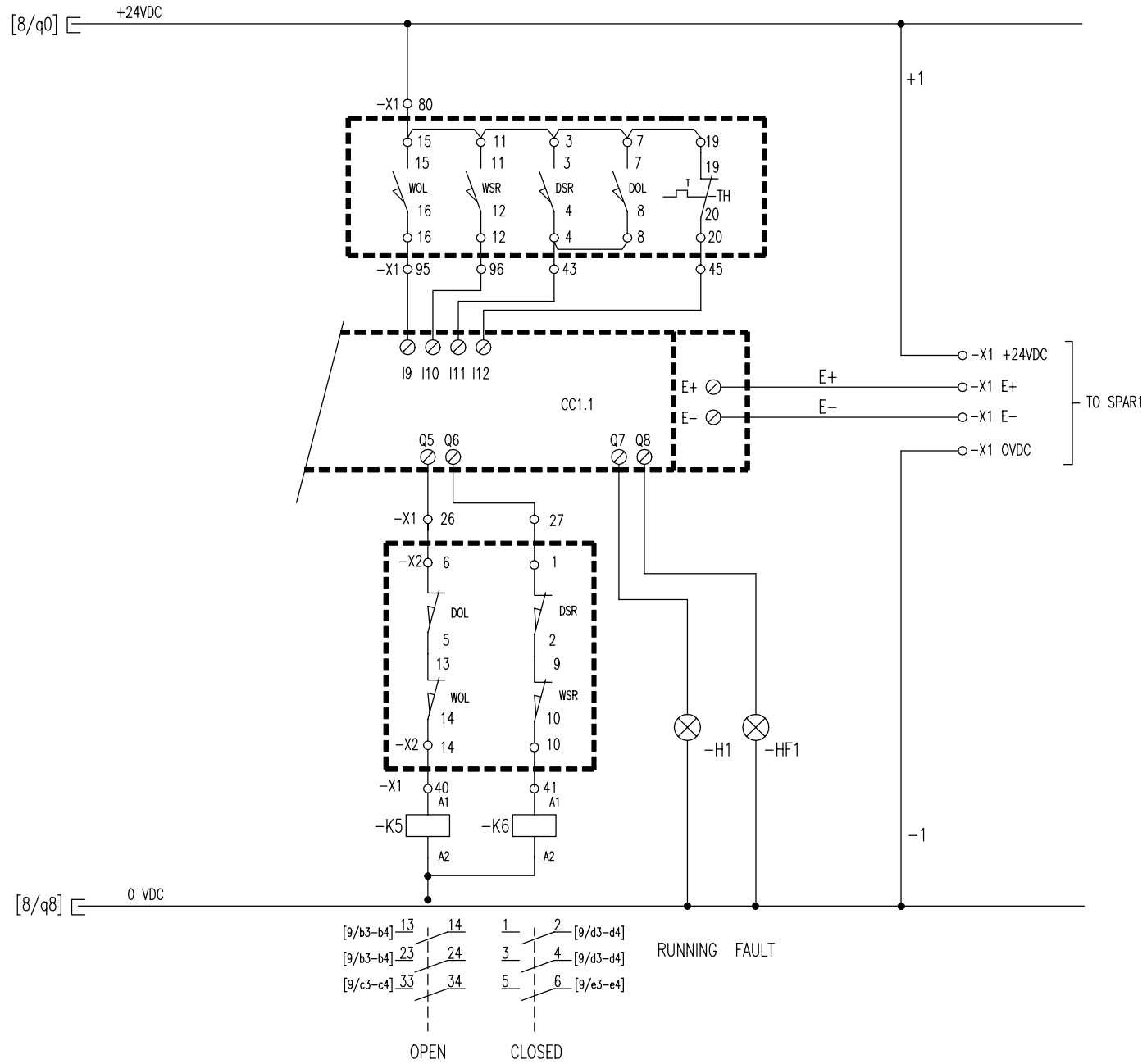
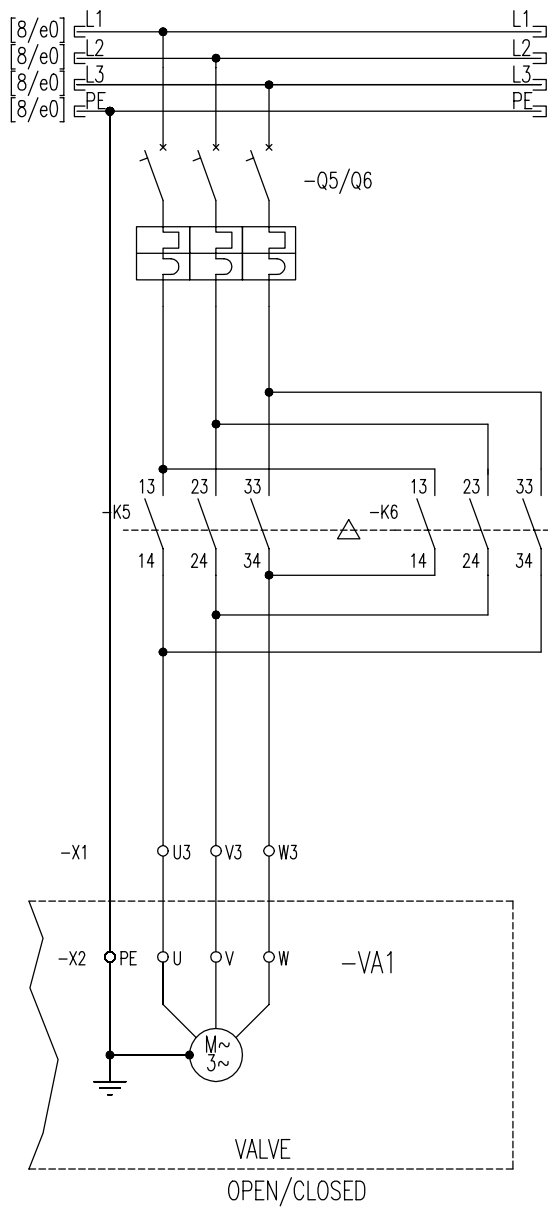
CACCIALANZA & C. s.p.a.
ANTINCENDIO SICUREZZA ANTINQUINAMENTO
SEGRATE (MILANO) - ITALY

TITLE
MONITOR 3 MOTIONS
TYPE A2-A4-A6-A8/EL

CLIENT

DATE	14.09.2001
SCALE	/
DRAWN	An.T.
CHECKED	AL.T.
APPROVED	A.M.
REV.	MODIFY
0	ISSUED
14.09.01	CHECKED

DWG N° 46403211
PROJECT N°
SHEET N. 8 OF 12



RUNNING FAULT

CACCIALANZA & C. s.p.a.
ANTINCENDIO SICUREZZA ANTINQUINAMENTO
SEGRATE (MILANO) - ITALY

TITLE
MONITOR 3 MOTIONS
TYPE A2-A4-A6-A8/EL

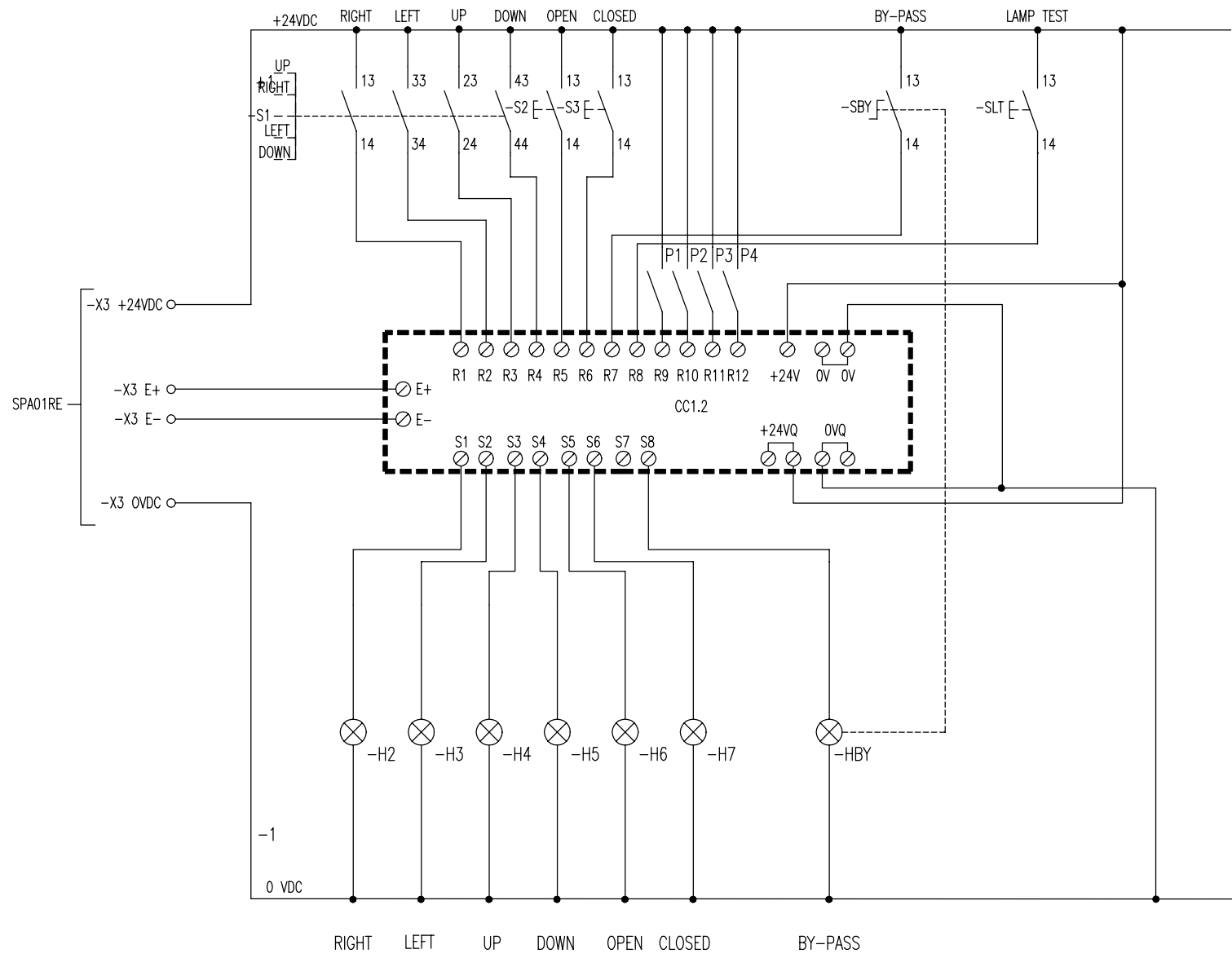
CLIENT

DATE	14.09.2001
SCALE	/
DRAWN	An.T.
CHECKED	AL.T.
APPROVED	A.M.
REV.	MODIFY
DATE	14.09.01

DWG N° 46403211

PROJECT N°

SHEET N° 9 OF 12



CACCIALANZA & C. s.p.a.
 ANTINCENDIO SICUREZZA ANTINQUINAMENTO
 SEGRATE (MILANO) - ITALY

TITLE
 MONITOR 3 MOTIONS
 TYPE A2-A4-A6-A8/EL

CLIENT

DATE	14.09.2001
SCALE	/
DRAWN	An.T.
CHECKED	ALT.
APPROVED	A.M.

DWG N° 46403211

PROJECT N°

SHEET N° 10 OF 12

a b c d e f g h i j k m n o p q r

0

1

2

3

4

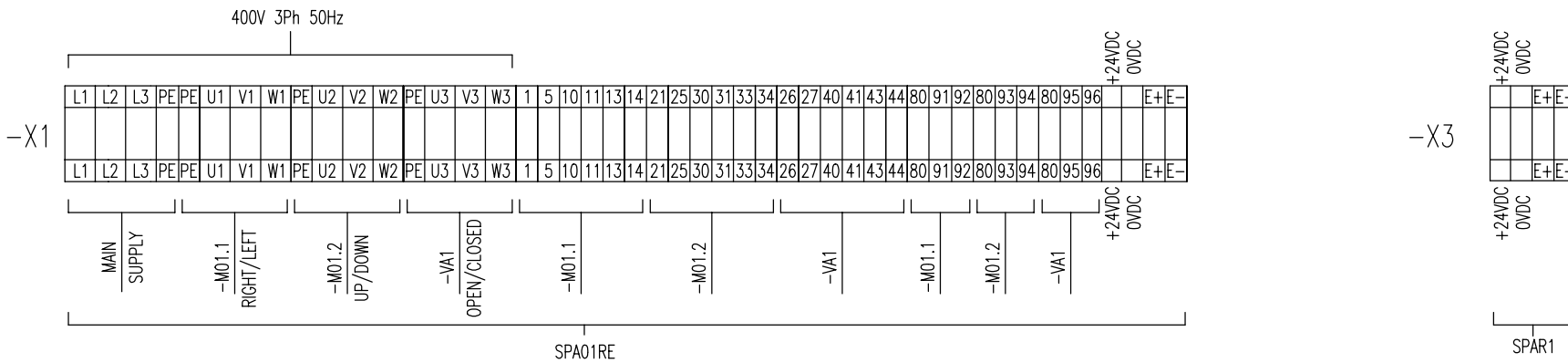
5

6

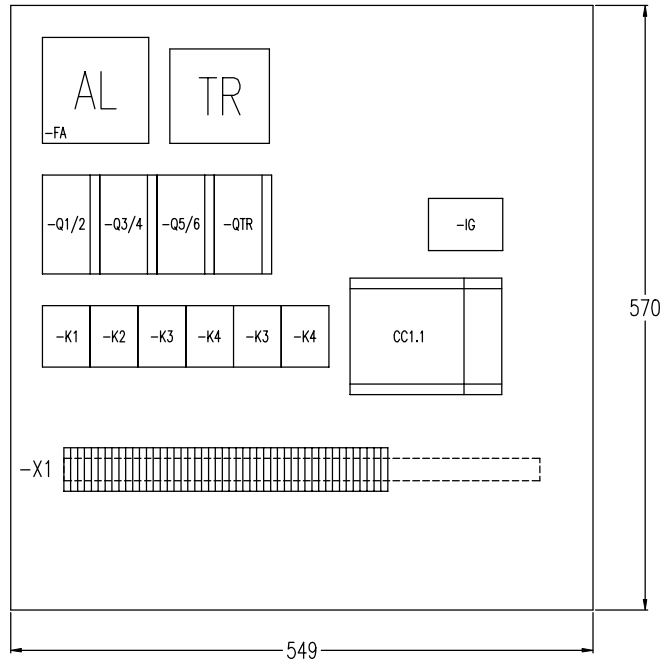
7

8

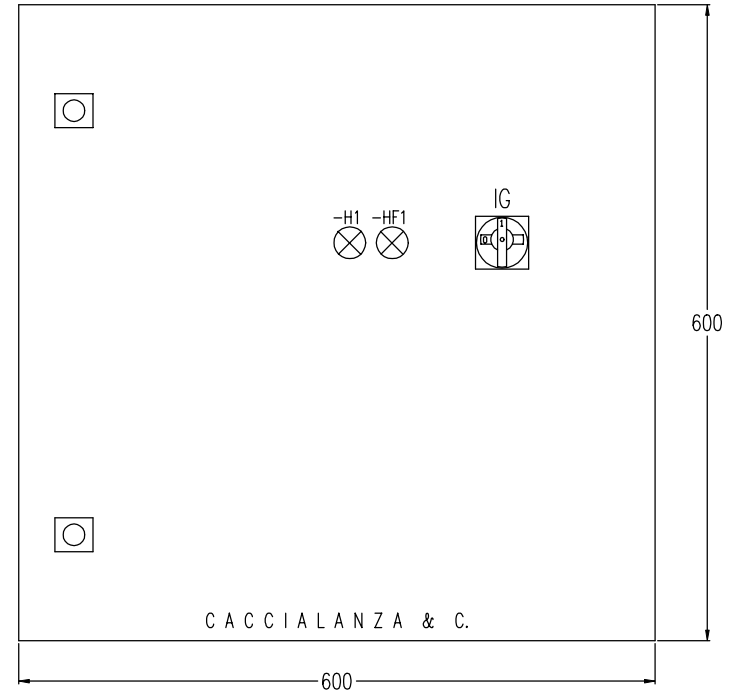
9



SPA01RE



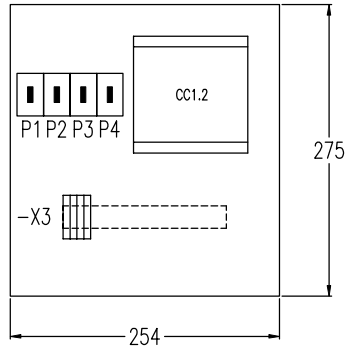
SPA01RE



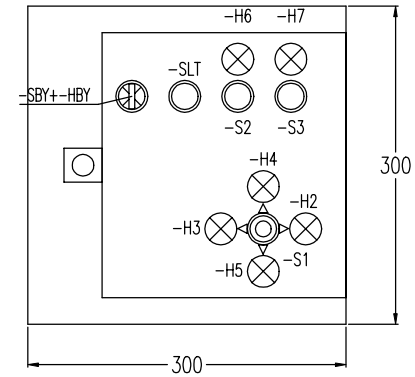
CACCIALANZA & C.

DEPTH: 210mm

SPAR1



SPAR1



DEPTH: 210mm

DATE	14.09.2001
SCALE	/
DRAWN	An.T.
CHECKED	AL.T.
APPROVED	A.M.
REV.	MODIFY
DATE	14.09.01